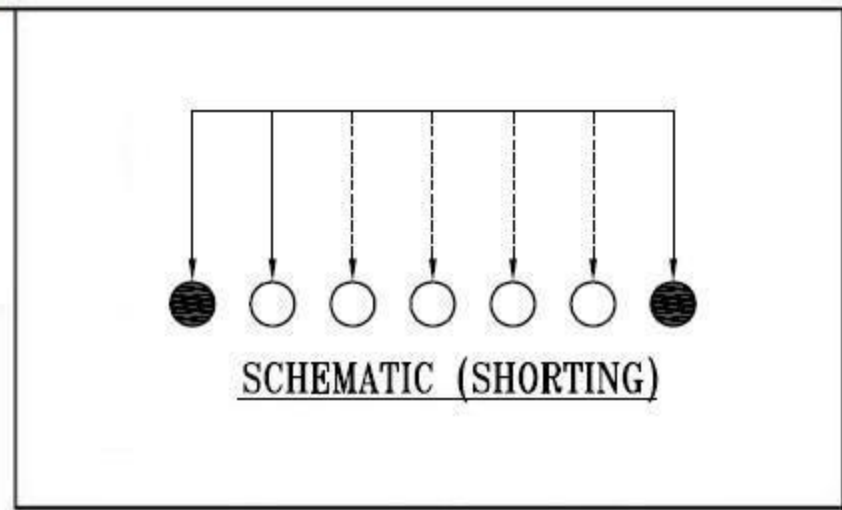
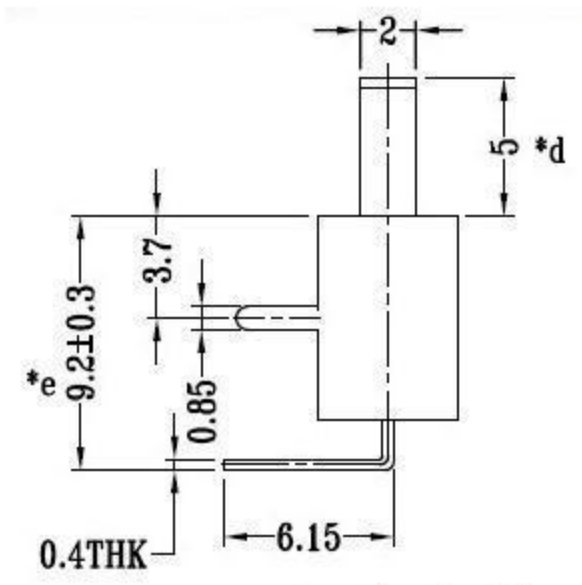
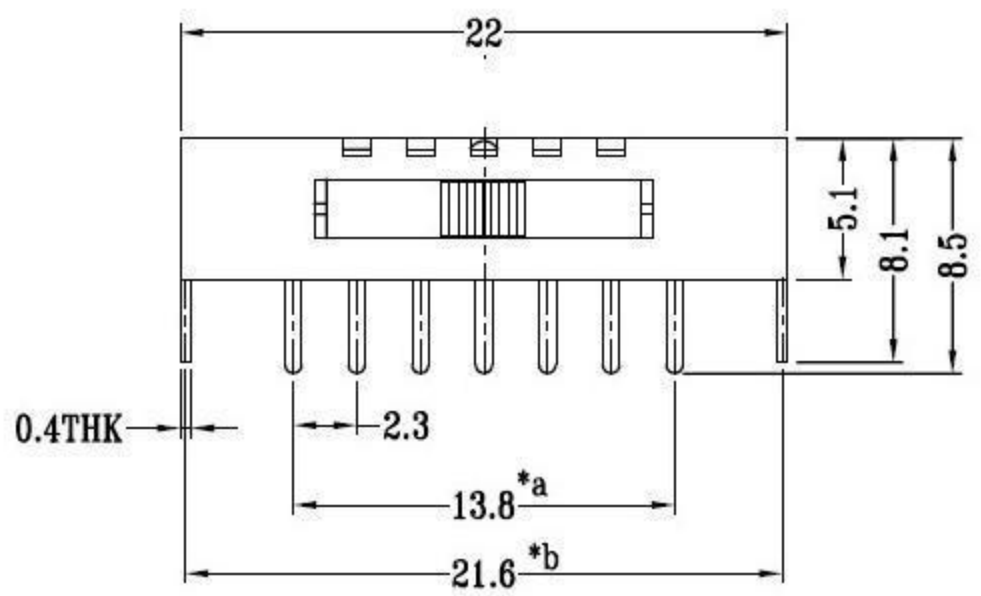
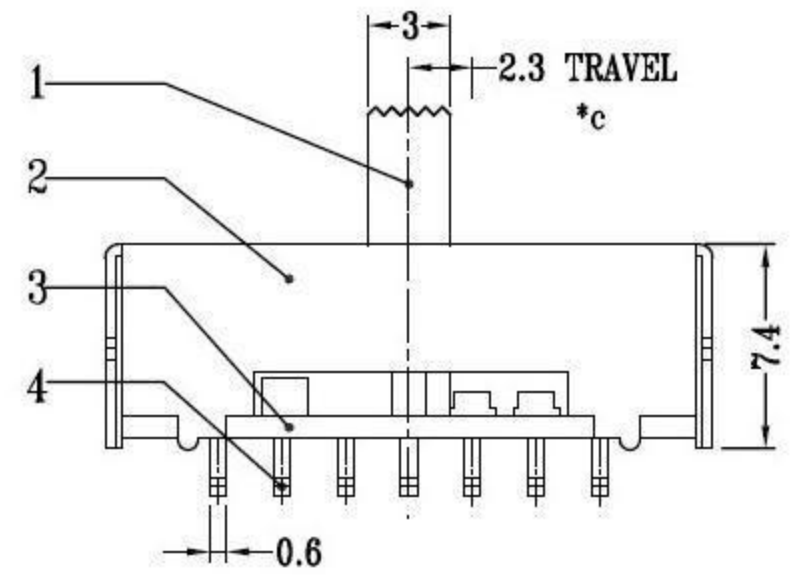
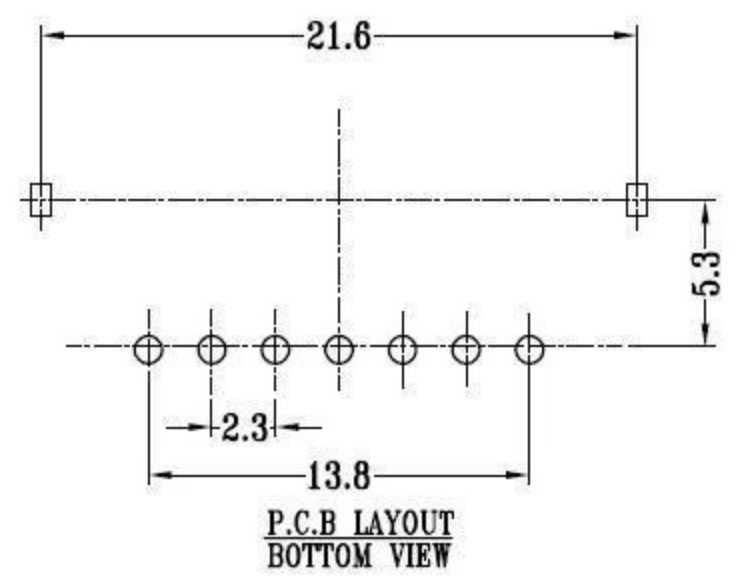


所有物质均符合环保要求



(胶头拨中间档位) 力度 450 ± 100 gf



手柄X位置, 与操作力按照用户需求定制!

NO.	PARTS	MATERIALS	Q'TY	FINISH	TOLERANCE UNLESS SPECIFIED		DESCRIPTIONS OF REVISION		APPD.
8					WITHIN	A	2010-01-02	初版	
7	STEEL BALL	STEEL	2	NATURAL	OVER	ISSUE	DATE		
6	SPRING	STEEL WIRE	1	NATURAL	TITLE : SLIDE SWITCH		UNIT : mm	DRWG NO.:	
5	CONTACT CLIP	PBS STRIP	2	Ag PLATED	MODEL:		SCALE: 2:1	DWN.	2010-01-02
4	TERMINAL	BRASS STRIP	8	Ag PLATED	东莞市高迪电子有限公司		APPD.		2010-01-02
3	BASE	PHENOLIC RESIN	1	NATURAL					2010-01-02
2	FRAME	STEEL STRIP	1	Ni PLATED	东莞市高迪电子有限公司		APPD.		2010-01-02
1	KNOB	POM	1	BLACK					2010-01-02